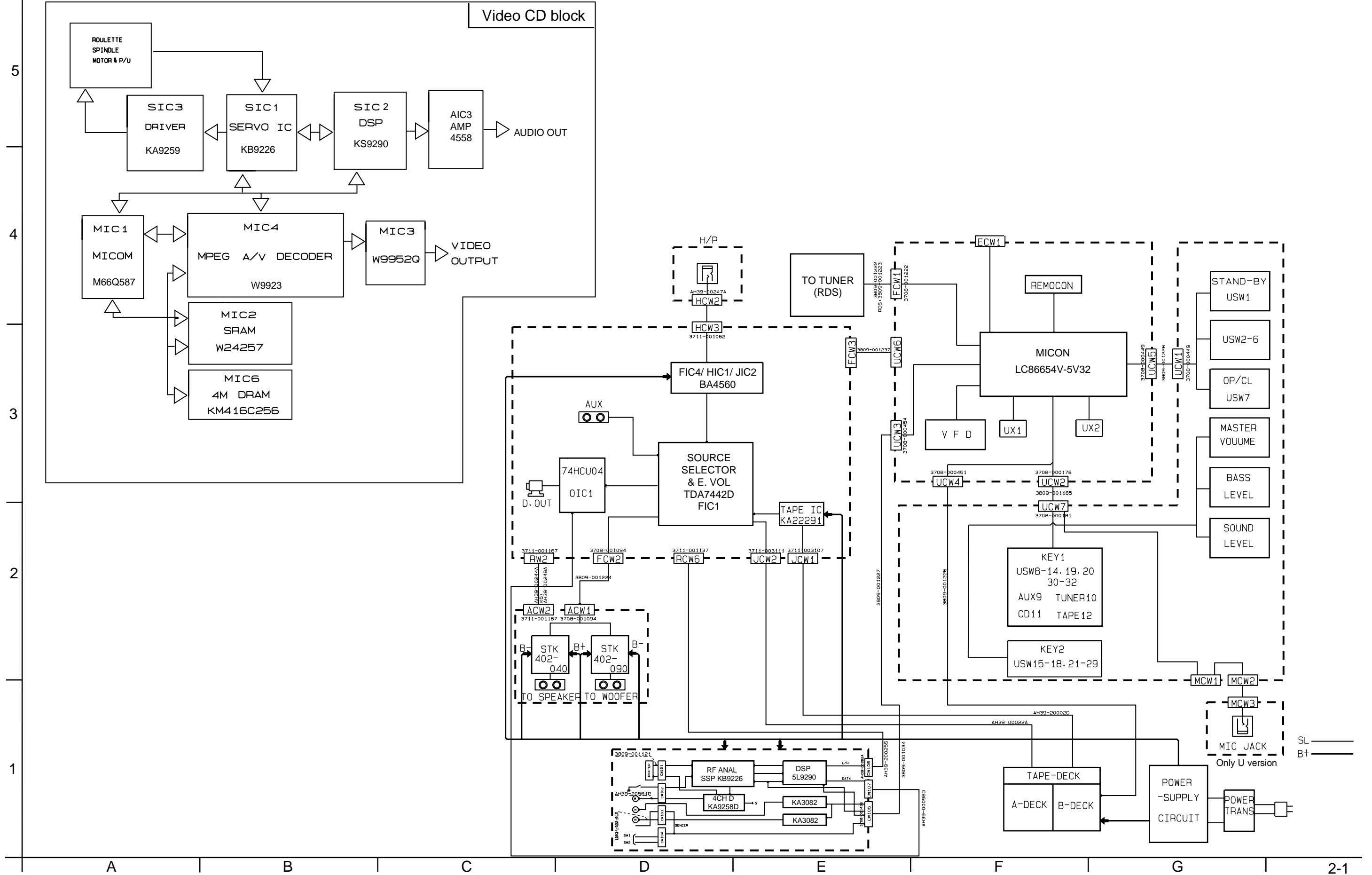


Block diagram



Standard schematic diagrams

■ Main section

SHEET 2/5

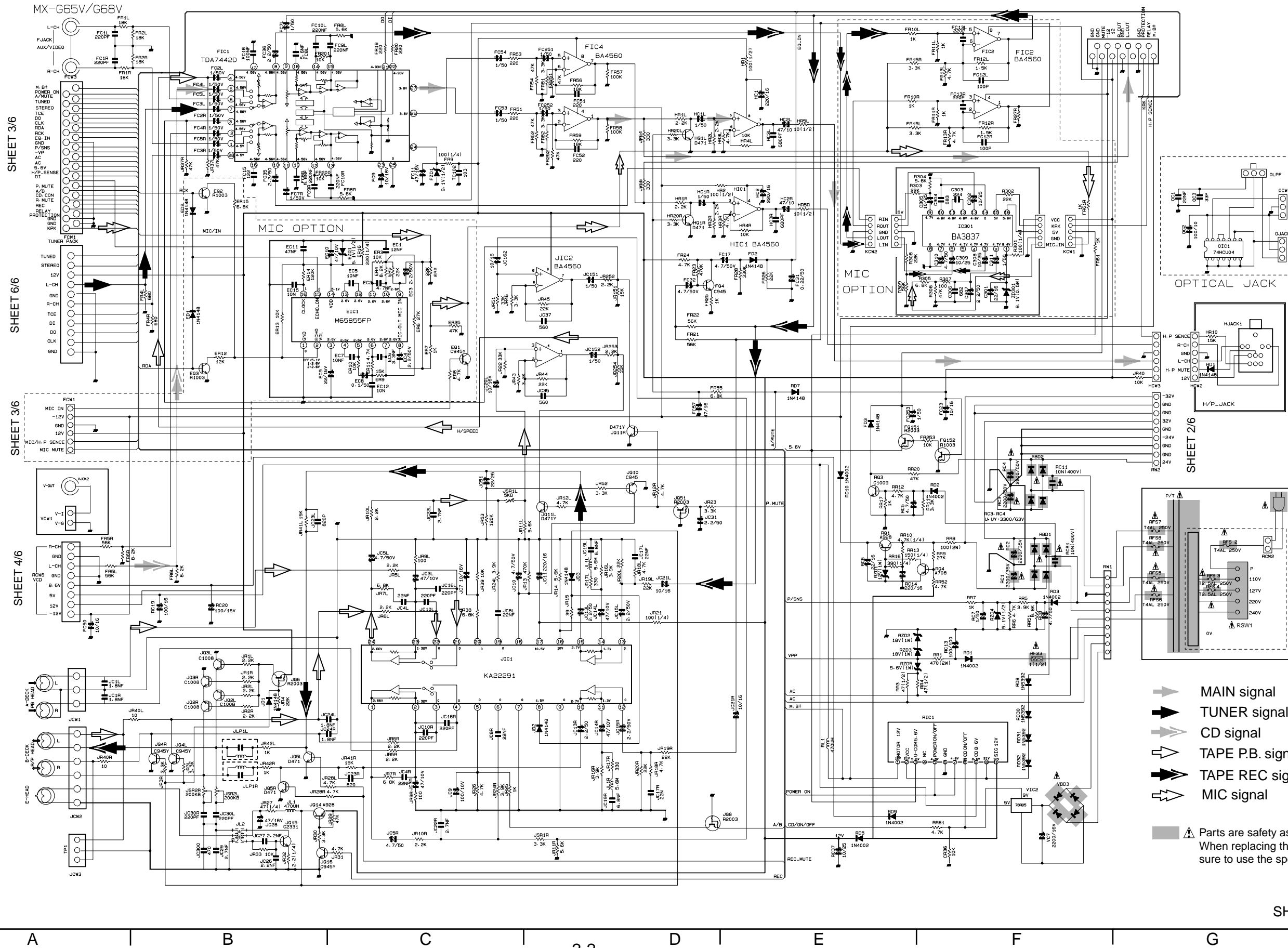
5

4

3

2

1



SHEET 3/6

SHEET 6/6

SHEET 3/6

SHEET 4/6

SHEET 3/6

SHEET 4/6

SHEET 3/6

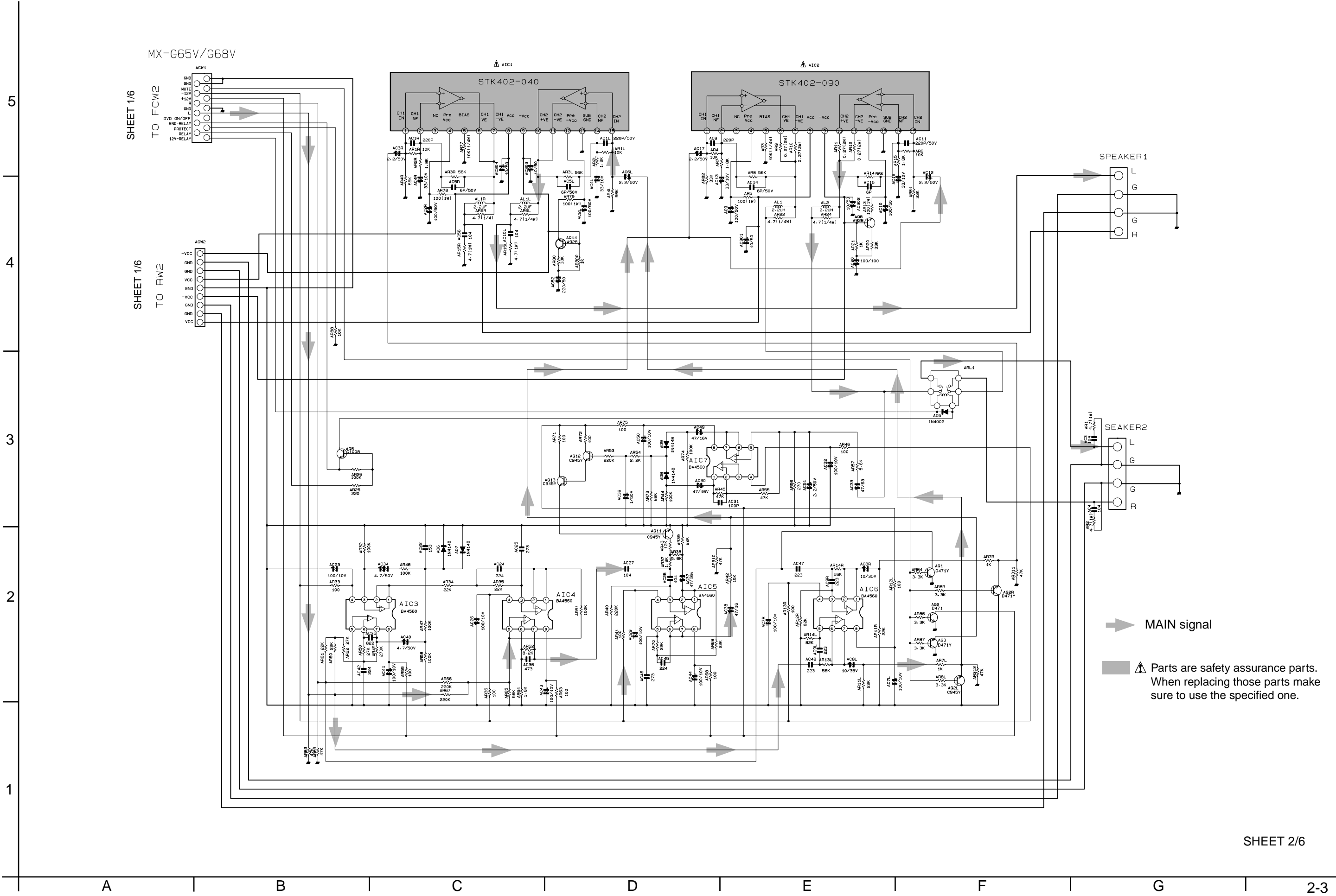
SHEET 4/6

SHEET 2/6

SHEET 1/6

A B C 2-2 D E F G H

Amplifier section



➔ MAIN signal

⚠ Parts are safety assurance parts.
When replacing those parts make sure to use the specified one.

■ Display & system control

5

4

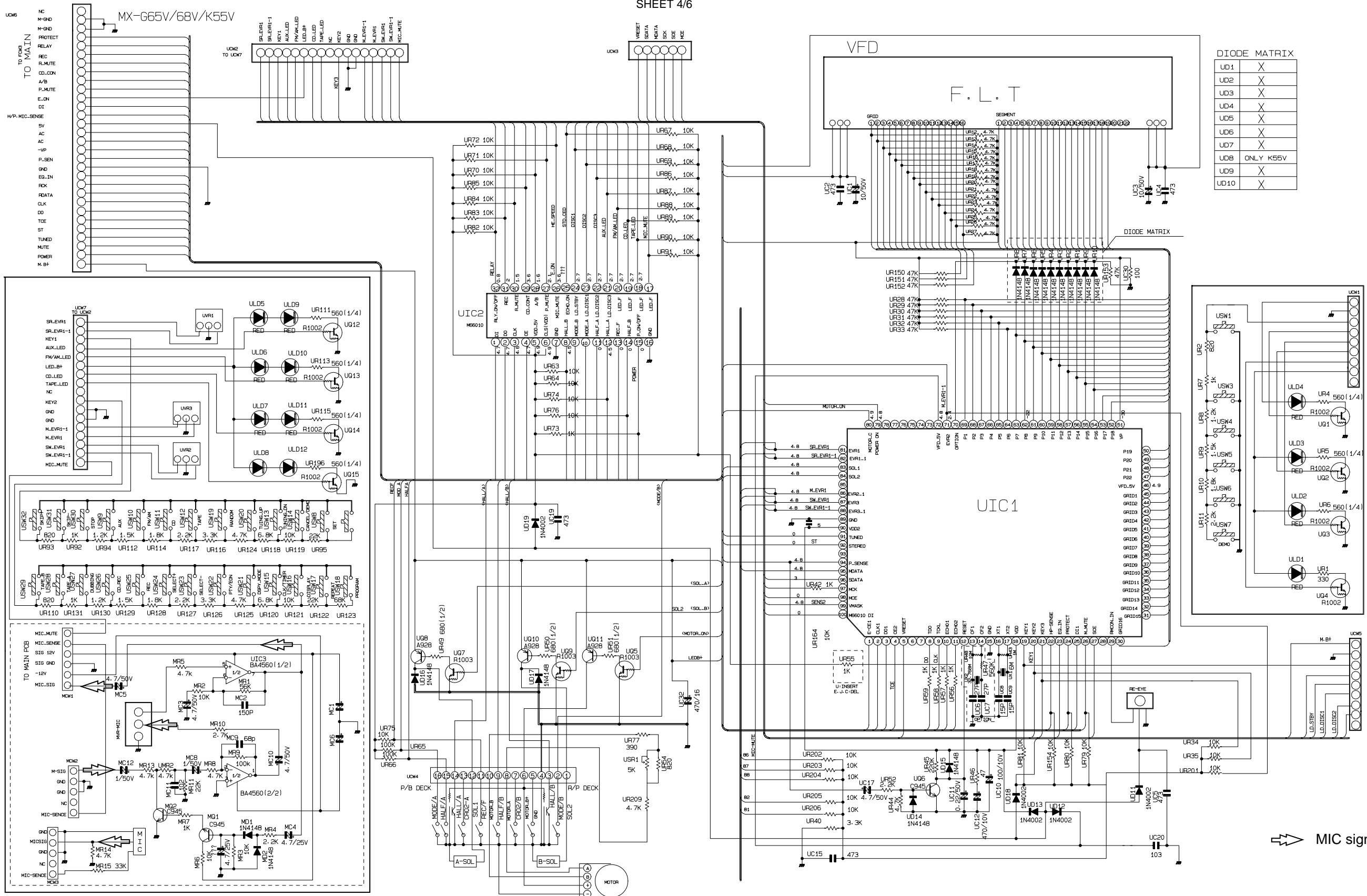
3

2

1

SHEET 4/6

SHEET 1/6



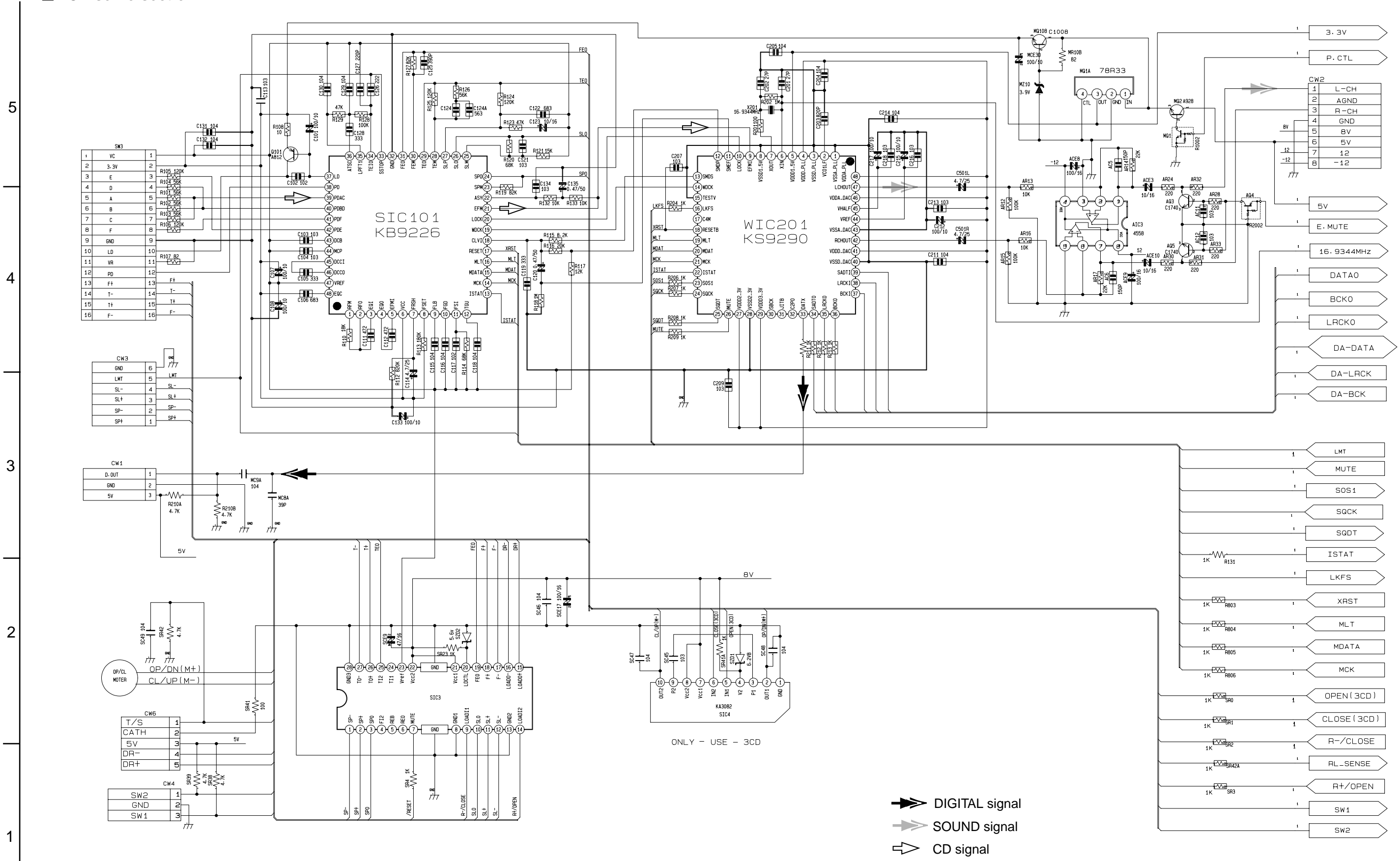
DIODE MATRIX

UD1	X
UD2	X
UD3	X
UD4	X
UD5	X
UD6	X
UD7	X
UD8	ONLY K55V
UD9	X
UD10	X

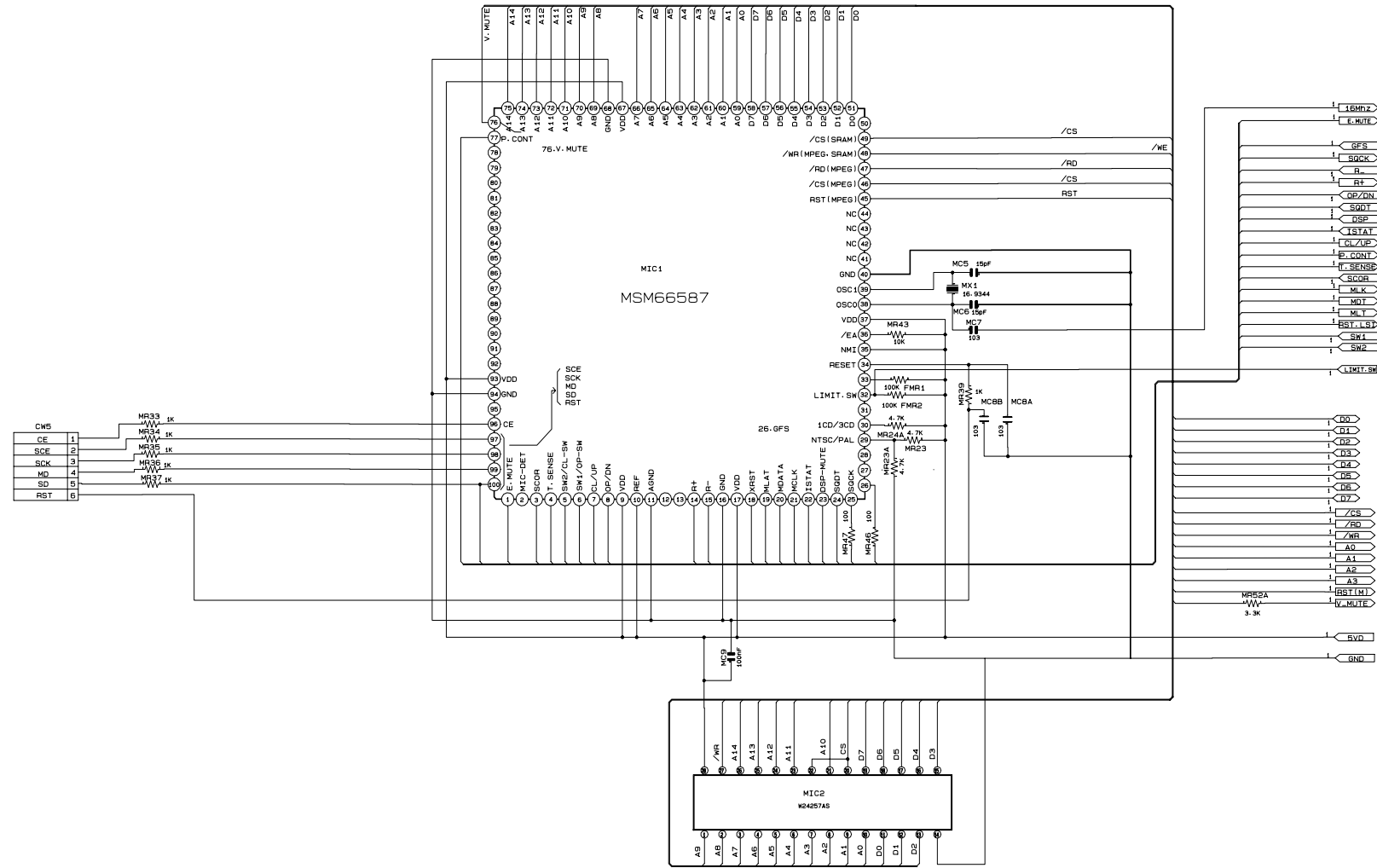
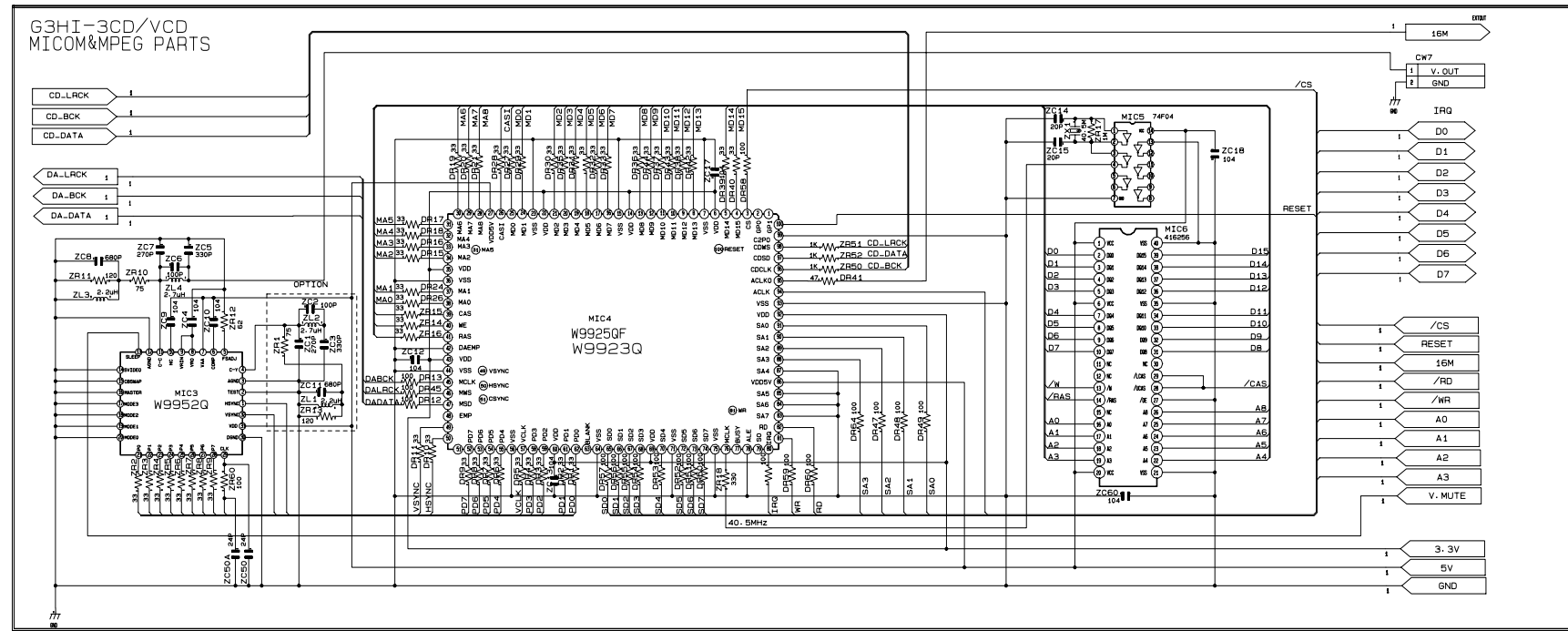
➔ MIC signal

SHEET 3/6

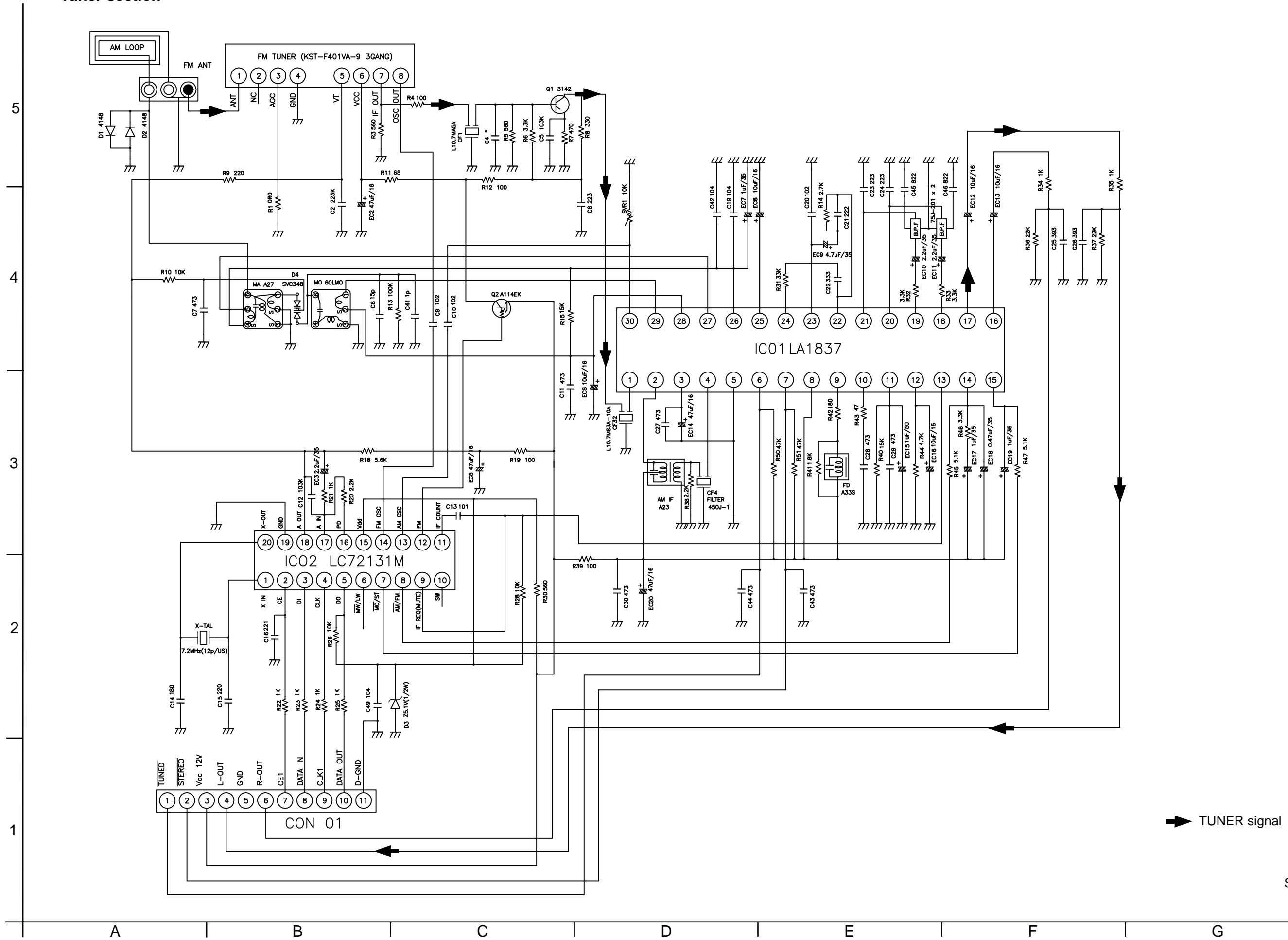
VCD servo section



■ VCD MPEG & micom section



■ Tuner section



Printed circuit boards

■ Main board

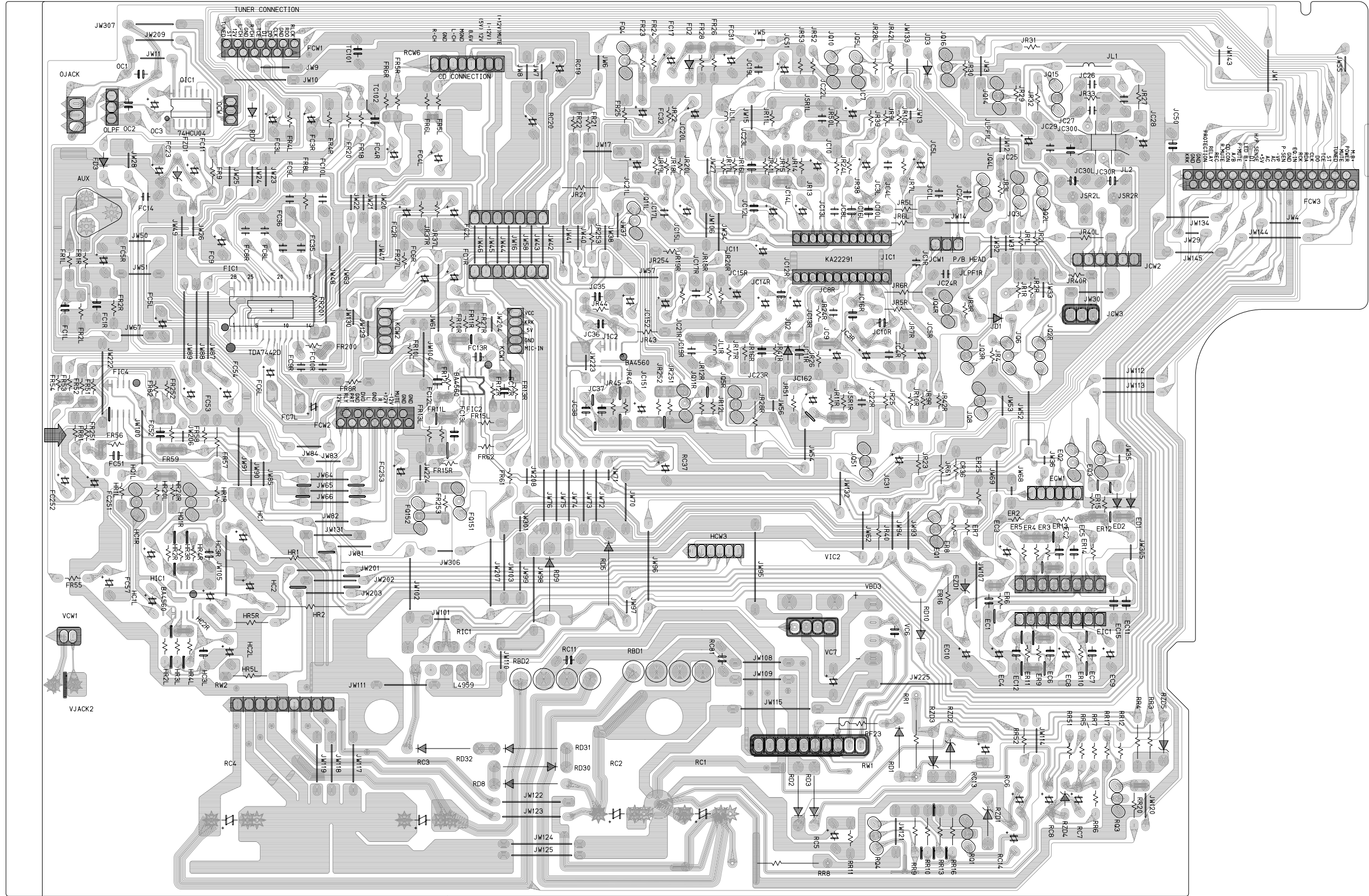
5

4

3

2

1



A

B

C

2-8

D

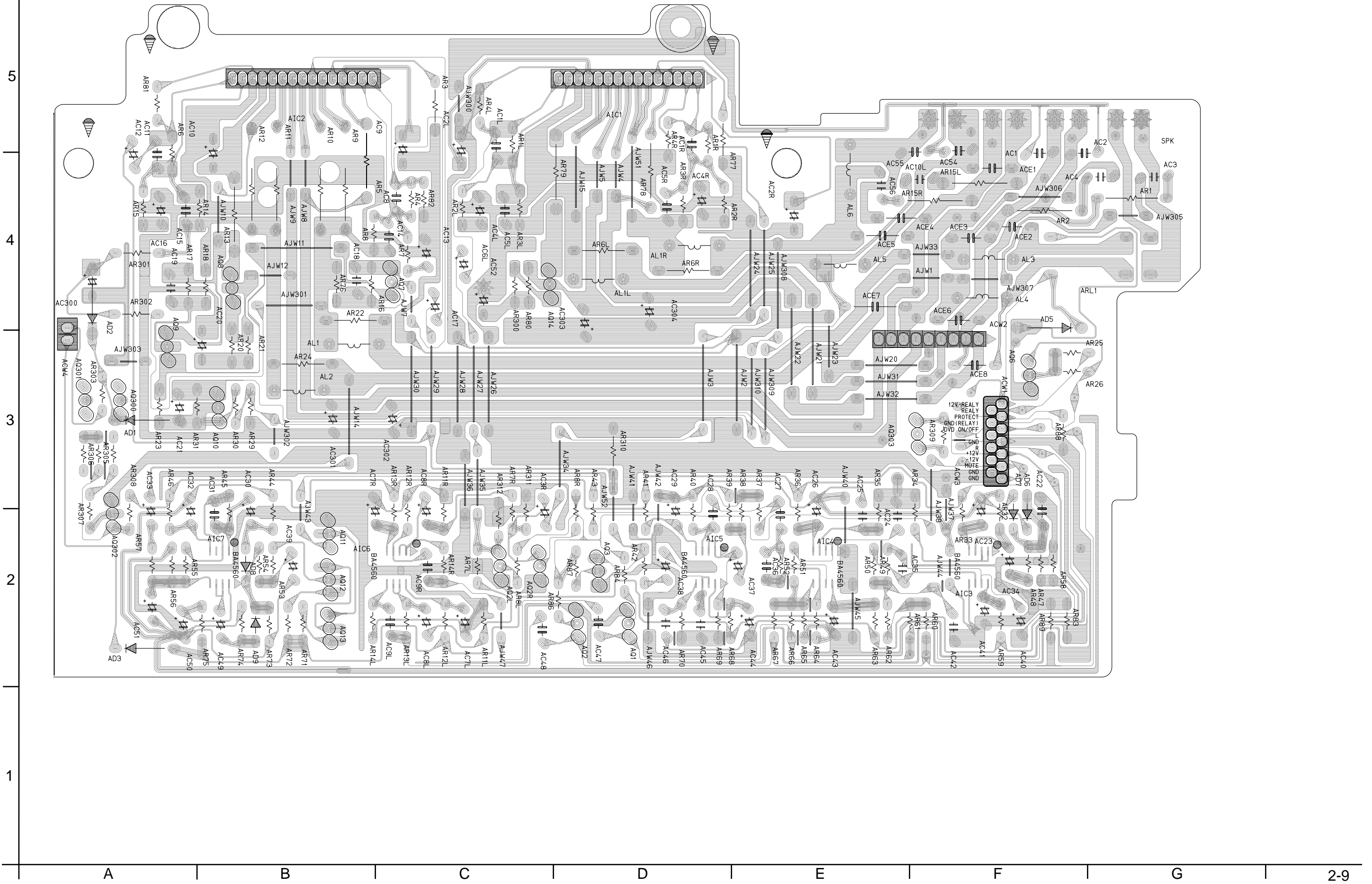
E

F

G

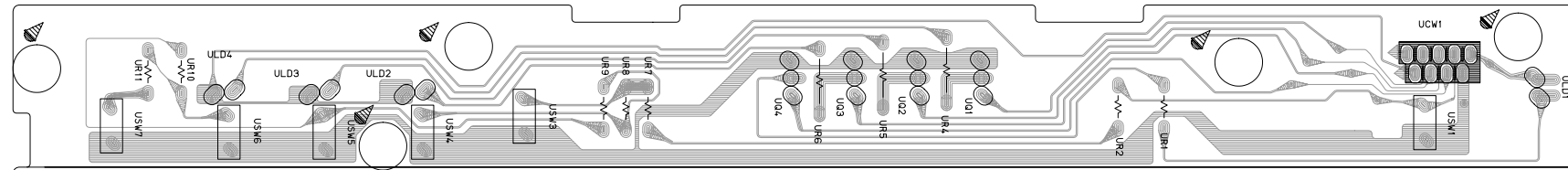
H

Amplifier board



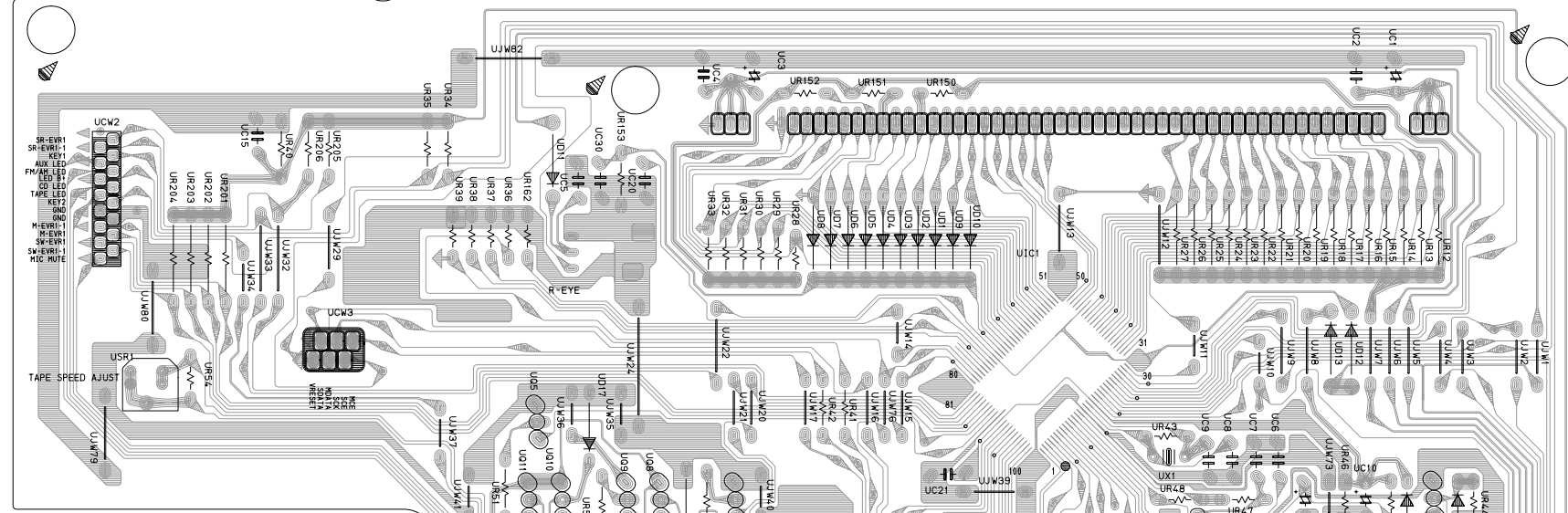
■ Front board

5



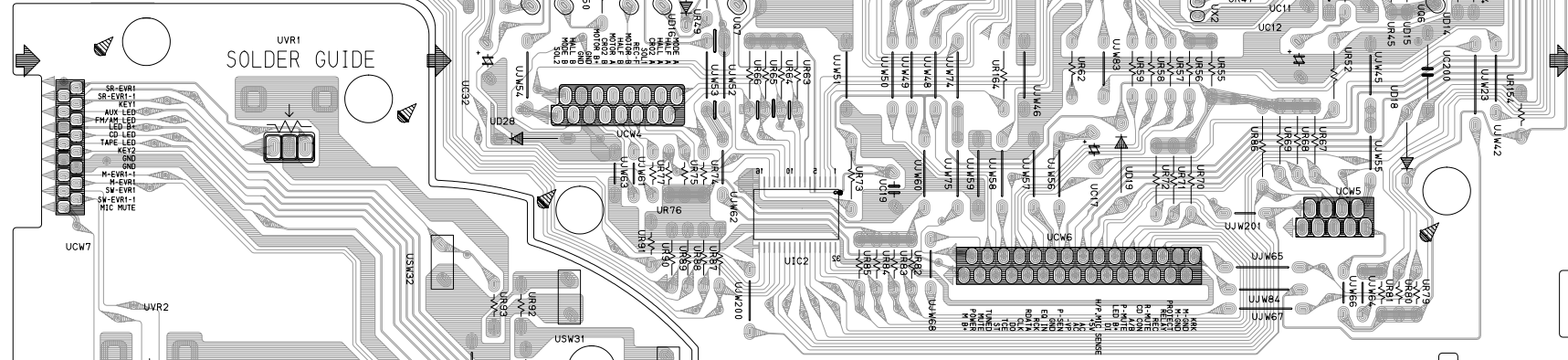
Power / CD switch board

4



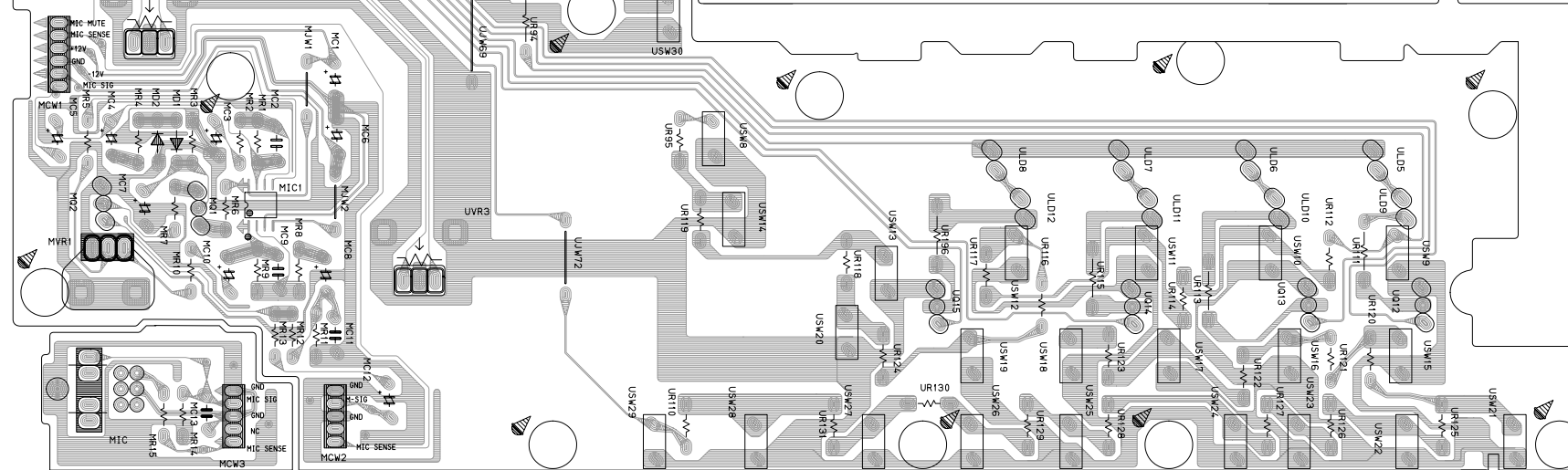
FL display & system control board

3



Front key switch board

2



1

A

B

C

2-10

D

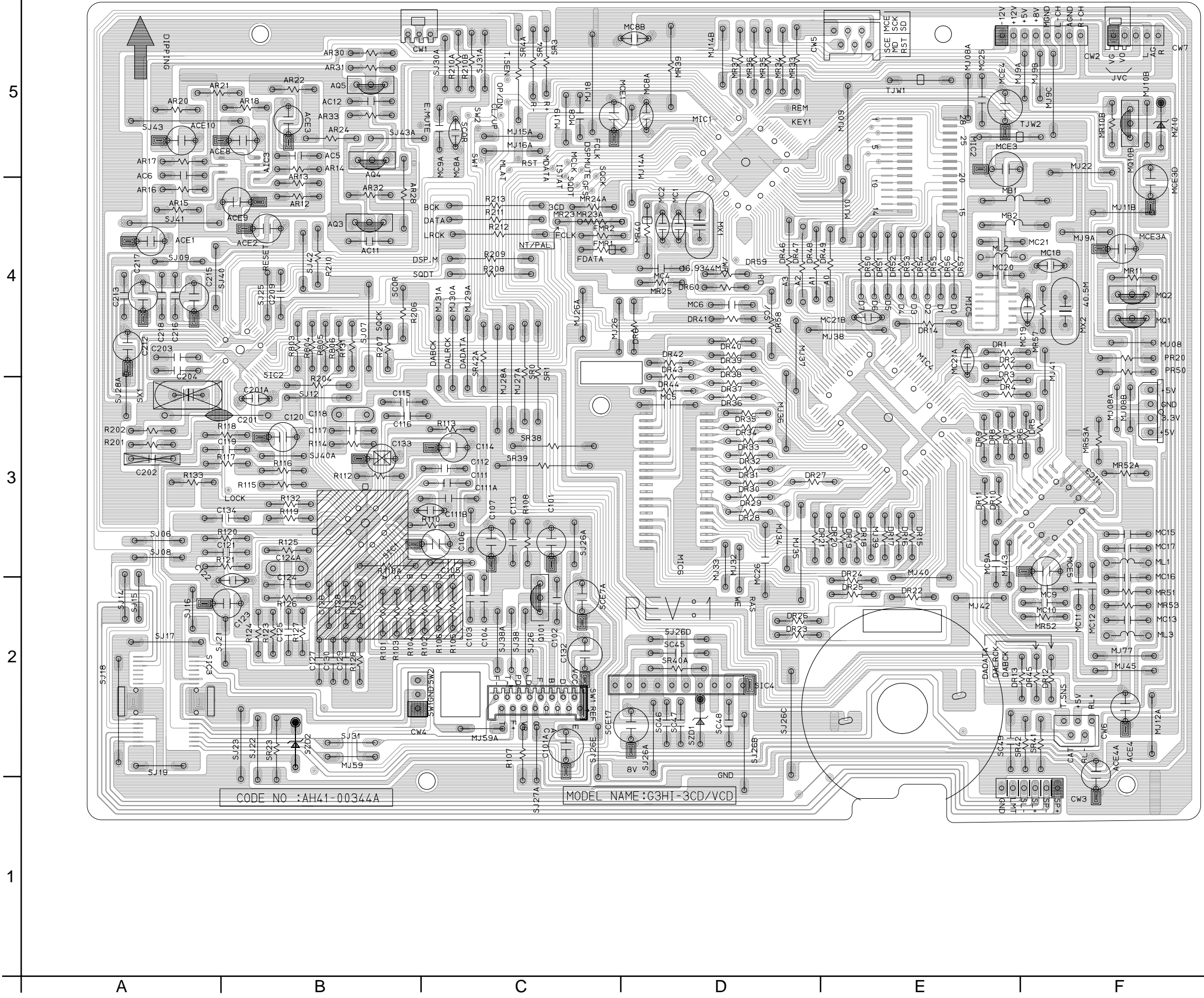
E

F

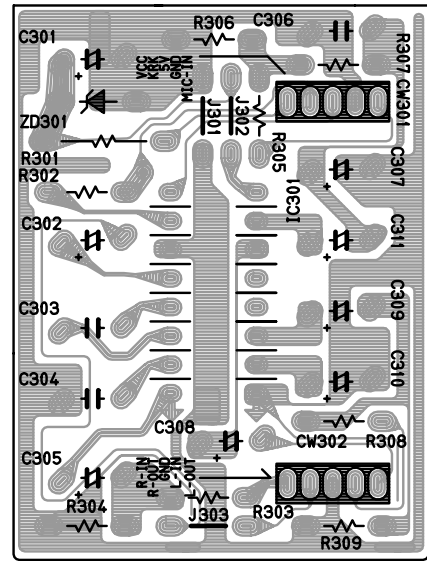
G

H

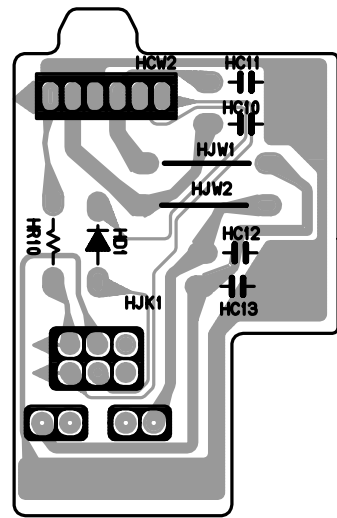
■ Vido CD board



■ Voice board

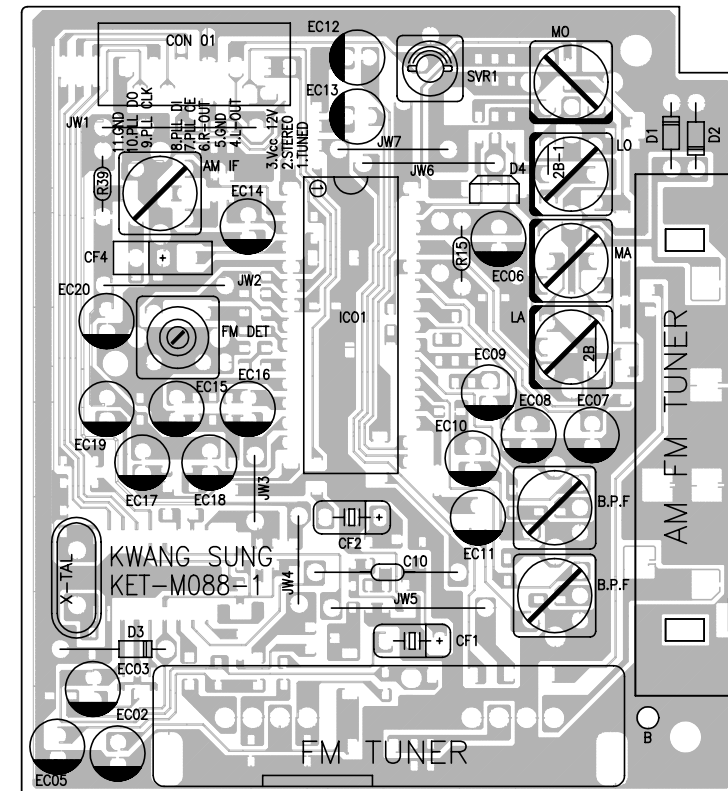


■ Headphone board



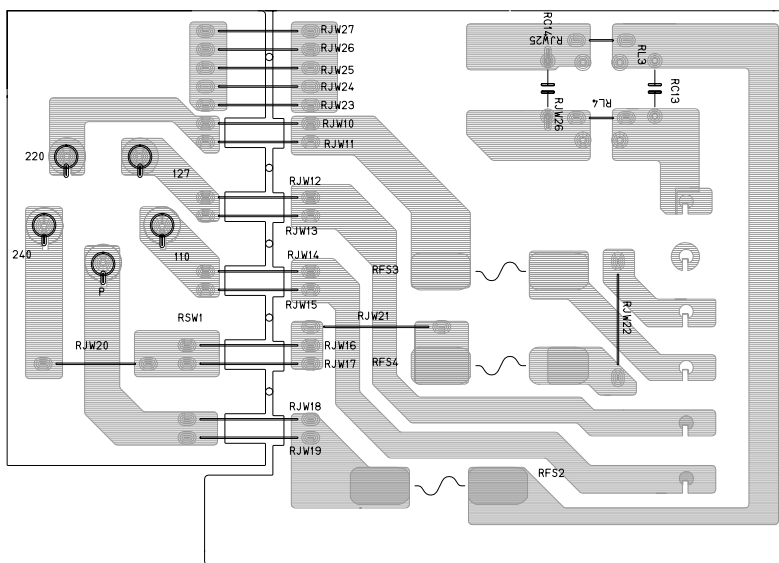
■ Tuner board

Front side

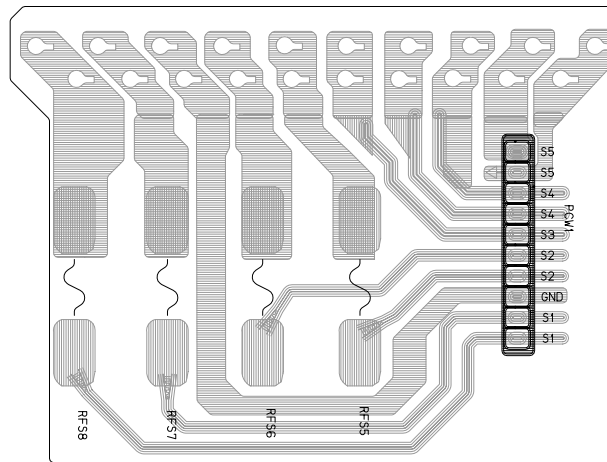


■ Power supply board

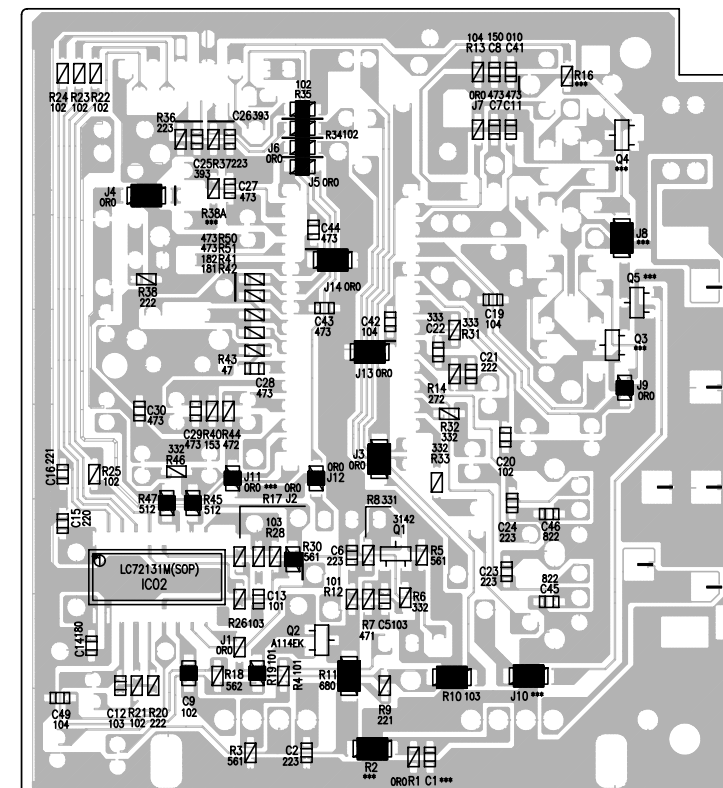
Primary part



Secondary parts



Reverse side



5

4

3

2

1

A

B

C

2-12

D

E

F

G

H